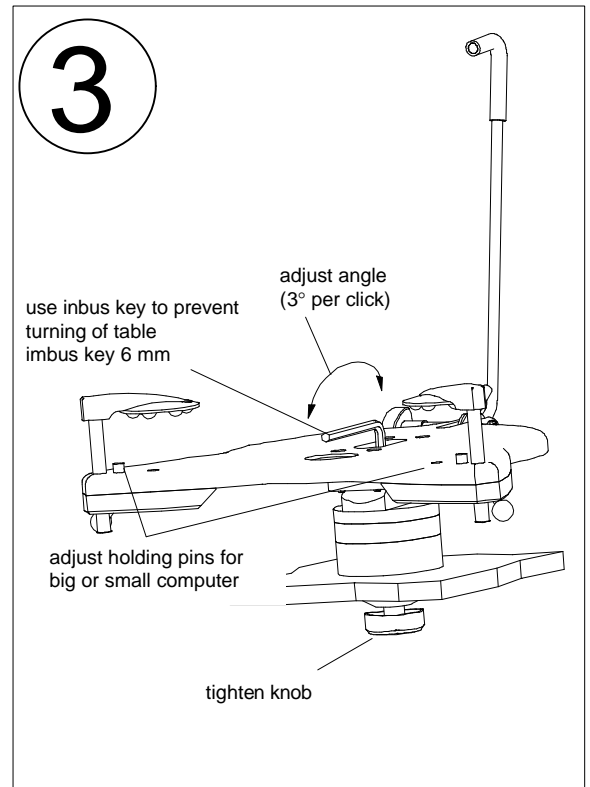
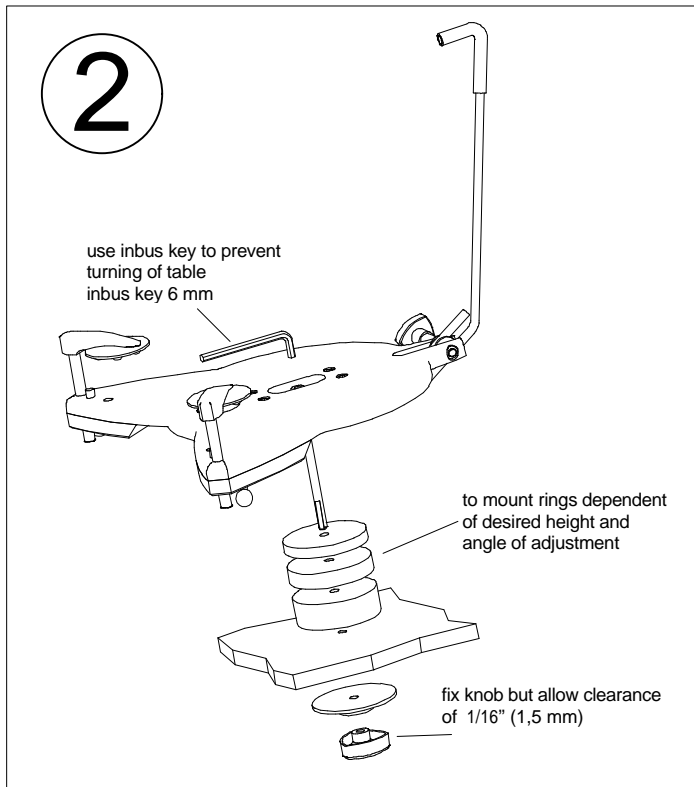
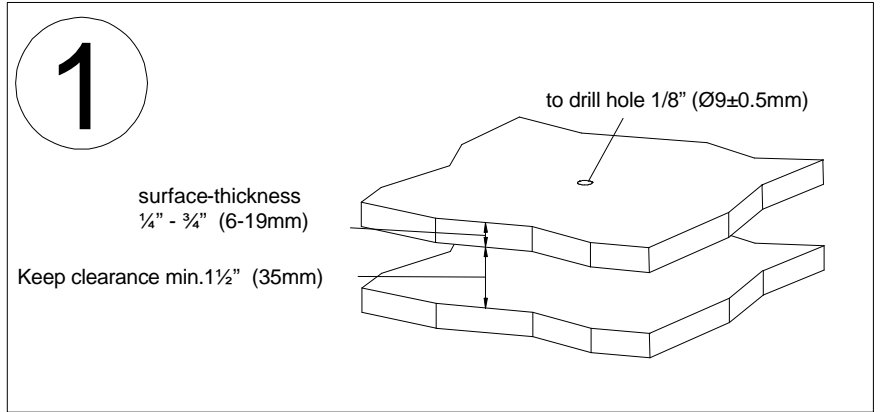


# Installation instructions Slide&Fix®

## Installation Slide&Fix®

The Slide&Fix® is to be mounted on a smooth-surface. This surface must be strong enough to carry the weight of the Slide&Fix® plus the weight of the laptop (computer). The thickness of this surface, on which the Slide&Fix® is to be mounted, should be: minimum- 1/4" (6 mm), maximum-3/4" (19 mm). A clearance of minimum 1 1/2" (35 mm) should be allowed below the surface for adjusting the tightening knob.



## Mounting instructions laptop (computer)

Press down the clamphandles (a), which are located underneath the table, as far back as possible. Pull-up the clamps (b) in its top-position. Put the support (c) for laptop-screen in a clear position to allow easy movement of the laptop. Move the laptop, with its screen open underneath the clamps (b) until it fits against the round holding pins. Turn the clamps in a suitable mounting-position to be able to secure the laptop properly. Press down the clamps until they are in holding position for the laptop and pull the clamp-handles forward til the locking-point. Loosen knob (d) of the support (c) sufficiently to be able to move the laptop-screen freely. Adjust the laptop-screen in the desired position. Refix the screen-supports (c) and tighten the knob properly. The laptop is now ready for use.

