

(19) World Intellectual Property Organization  
International Bureau



(43) International Publication Date  
21 February 2002 (21.02.2002)

PCT

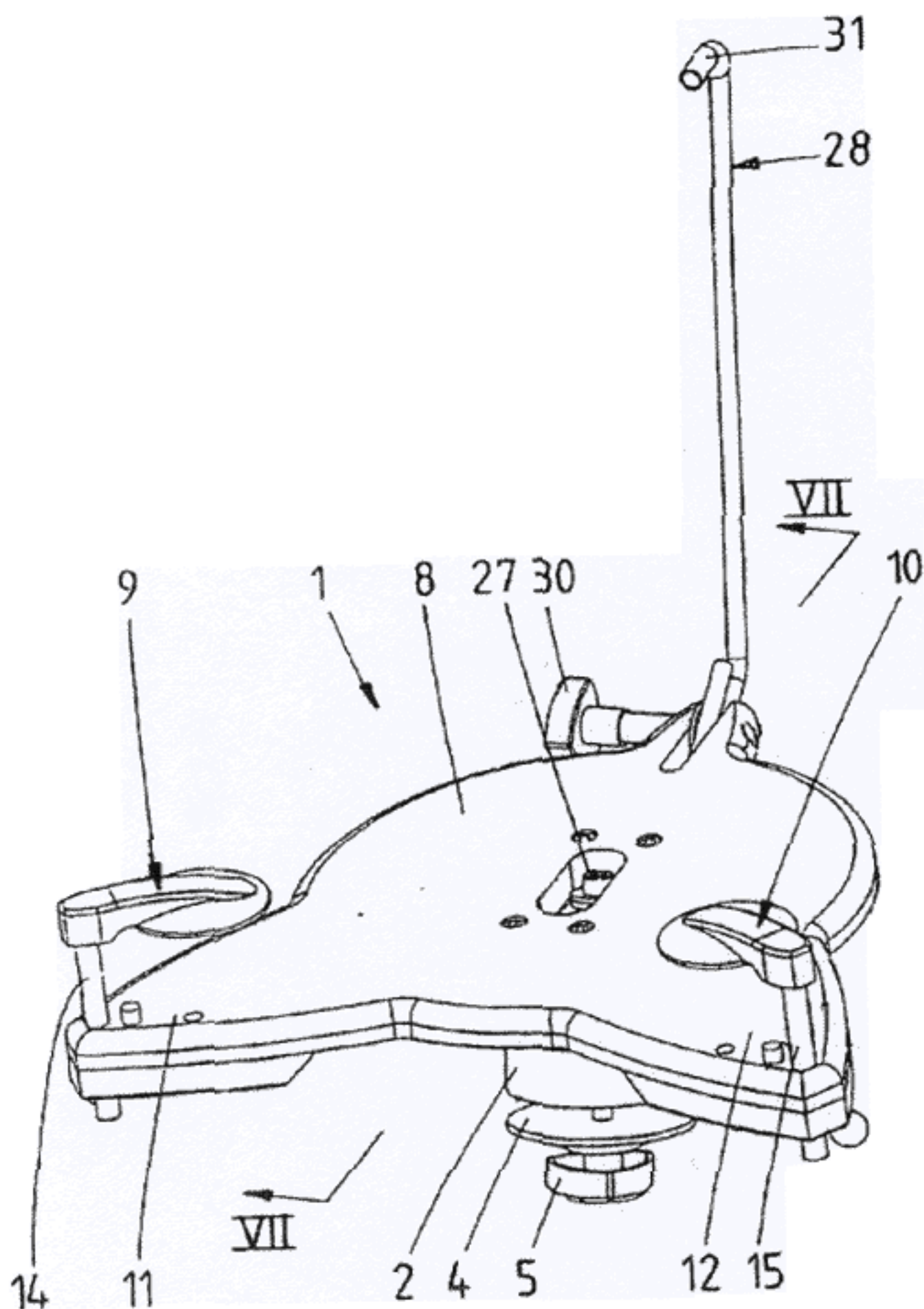
(10) International Publication Number  
WO 02/13658 A1

- (51) International Patent Classification<sup>7</sup>: A47B 21/03, F16M 13/02, B60R 11/02
- (74) Agent: METMAN, Karel, Johannes; De Vries & Metman, Overschiestraat 180, NL-1062 XK AMSTERDAM (NL).
- (21) International Application Number: PCT/NL01/00578
- (81) Designated States (*national*): AE, AG, AL, AM, AT, AT (utility model), AU, AZ, BA, BB, BG, BR, BY, BZ, CA, CH, CN, CO, CR, CU, CZ, CZ (utility model), DE, DE (utility model), DK, DM, DZ, EC, EE, ES, FI, GB, GD, GE, GH, GM, HR, HU, ID, IL, IN, IS, JP, KE, KG, KP, KR, KZ, LC, LK, LR, LS, LT, LU, LV, MA, MD, MG, MK, MN, MW, MX, MZ, NO, NZ, PL, PT, RO, RU, SD, SE, SG, SI, SK, SK (utility model), SL, TJ, TM, TR, TT, TZ, UA, UG, US, UZ, VN, YU, ZA, ZW.
- (22) International Filing Date: 26 July 2001 (26.07.2001)
- (25) Filing Language: Dutch
- (26) Publication Language: English
- (30) Priority Data:
 

1015915	11 August 2000 (11.08.2000)	NL
1017150	19 January 2001 (19.01.2001)	NL
- (71) Applicant and
- (72) Inventor: STREEFKERK, Peter, Roeland [NL/NL]; P.P. Kroonstraat 15, NL-1486 MP West-Graftdijk (NL).
- (84) Designated States (*regional*): ARIPO patent (GH, GM, KE, LS, MW, MZ, SD, SL, SZ, TZ, UG, ZW), Eurasian patent (AM, AZ, BY, KG, KZ, MD, RU, TJ, TM), European patent (AT, BE, CH, CY, DE, DK, ES, FI, FR, GB, GR, IE, IT, LU, MC, NL, PT, SE, TR), OAPI patent (BF, BJ, CF,

[Continued on next page]

(54) Title: SECURING DEVICE FOR A PORTABLE COMPUTER



(57) Abstract: A securing device for a portable computer having a flat case, in particular for use in ships, comprises a support (1) fitted with a mounting element (4,5) for being mounted on a table. The computer can be placed on said support. Clamping means (8-10) are provided for clamping the portable computer down on said support. Said clamping means are so designed that they secure the portable computer in vertical direction with respect to the support (1), in particular at the location of the front corners of the portable computer. The securing device according to the invention can be universally applied for all kinds of portable computers, and it anchors the computer firmly in the desired position.

WO 02/13658 A1